

ICOM

VHF MARINE TRANSCEIVER

IC-M323

*Top Performance, Great Value*



**Powerful, Compact VHF/DSC with Icom Value and Reliability**



**New Icom Marine Family User Interface**  
Shares same user interface operation with IC-M423.



**High Definition Dot-Matrix Display**



**Meets Latest Class D DSC Specifications**



**IPX7 Waterproof**  
1m depth water for 30 minutes.



**Common NMEA Interface**  
For GPS/NAV Connection.



**AquaQuake™  
Draining Function**



**MA-500TR AIS Transponder  
Compatible**



**MarineCommander™ Compatible**



Also available in super white version.

### New Intuitive User Interface

Icom's common Marine Family User Interface provides simple operation for the boat owner. A rotary selector, directional keypad provides intuitive operation. The high definition dot-matrix display allows all information to be clearly viewed.

### Built-in Class D DSC

The built-in DSC watch function monitors Ch. 70 (DSC channel) activity, even while you are receiving another channel. DSC functions include: distress, individual, group, all ships, urgency, safety, position request/report, polling request and DSC test calls.

### Common NMEA Interface

When connected to an external GPS receiver, current position and time are shown on the IC-M323's display. When receiving DSC information from another vessel, the IC-M323 can transfer it to a navigational device via NMEA 0183 connectivity.

### Compatible with MA-500TR Class B AIS Transponder

The IC-M323 can be integrated with the MA-500TR Class B AIS Transponder allowing you to transmit DSC individual calls to a selected vessel instantly without manual MMSI entry; very handy if you are waiting to contact vessels on the AIS screen, an essential safety feature in an emergency.

### IPX7 Waterproof Protection

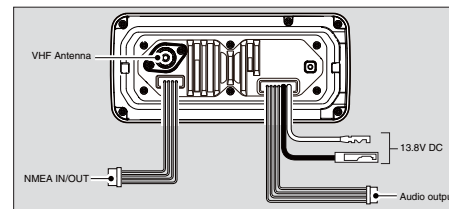
The IC-M323 withstands submersion in up to 1.0m depth of water for 30 minutes. It is equivalent to the IPX7 standard.

### Favorite Channel Function

This function allows for quicker channel selection. Set the "Tag" channel to the channels used most often. When pushing the up/down buttons on the hand microphone, only the tagged channels are selected, while untagged channels are skipped.

### And More

- MarineCommander™ compatible
- AquaQuake™ water draining function
- Dual/tri-watch function for monitoring Ch.16 and/or call channel
- Black and super white versions available.



### OPTIONS

<b>CLASS B AIS TRANSPONDER</b>  MA-500TR	<b>FLUSH MOUNT KIT</b>  MB-132 <b>HM-200B/SW</b> HAND MICROPHONE Same as supplied.
---	--

## SPECIFICATIONS

GENERAL		
Frequency range	Tx Rx CH70	156.000-161.450MHz 156.000-163.425MHz 156.525MHz
Usable channels		INT, USA* channels * Available depending on version
Type of emission		16K0G3E (FM), 16K0G2B (DSC)
Power supply requirement		13.8V DC nominal (10.8-15.6V DC)
Current drain	Tx 25W output Rx Max. audio	5.5A 1.5A
Operating temperature range		-20°C to +60°C
Antenna impedance		50Ω (SO-239)
Dimensions (W×H×D) (projections not included)		180×82×119.9mm
Weight (approx.)		1.2kg
NMEA in/out formats		RMC, GGA, GNS, GLL, DSC, DSE
TRANSMITTER		
Output power		25W, 1W
Max. frequency deviation		±5.0kHz
Frequency stability		Less than ±1.5kHz
Spurious emissions		Less than 0.25µW

RECEIVER		
Sensitivity	Main DSC	-5dBµ emf typ. (20dB SINAD) -4dBµ emf typ. (1% BER)
Squelch sensitivity	Main	Less than -2dBµ emf
Adjacent channel selectivity	Main DSC	More than 70dB More than 73dBµ emf (1% BER)
Spurious response	Main DSC	More than 70dB More than 73dBµ emf (1% BER)
Intermodulation	Main DSC	More than 68dB More than 68dBµ emf (1% BER)
Hum and noise		More than 40dB
Audio output power (at 10% distortion, 4Ω load)		More than 2W

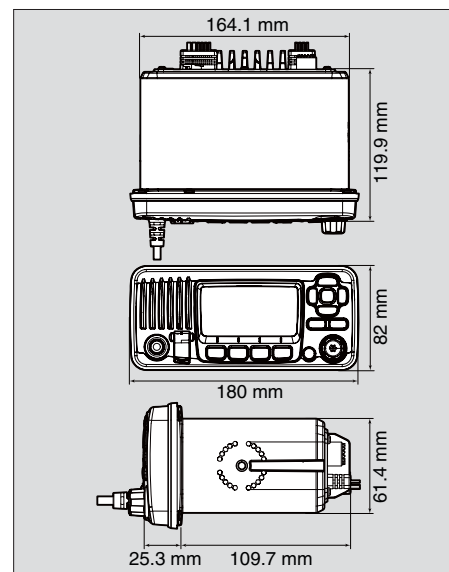
Measurements made in accordance with EN 301 025-2, -3. All stated specifications are subject to change without notice or obligation.

### Applicable IP Rating

Ingress Protection Standard	
Water	IPX7 (Waterproof protection)

### Supplied accessories:

- Hand microphone, HM-200B/SW
- DC power cable
- Mounting bracket kit



Les spécifications et informations données dans ce document peuvent être modifiées sans préavis. La configuration du poste peut varier suivant les versions.

## Icom France s.a.s.

Zac de la Plaine - 1, Rue Brindejonc des Moulinais  
 BP 45804 - 31505 TOULOUSE CEDEX 5  
 Tél : +33 (0)5 61 36 03 03 - Fax : +33 (0)5 61 36 03 00  
 WEB ICOM : <http://www.icom-france.com>  
 E-mail : [icom@icom-france.com](mailto:icom@icom-france.com)



CACHET DISTRIBUTEUR

